

FRENCH FITNESS

FF-BTPS2

FRENCH FITNESS BOLT TOGETHER
PARALLETTE SET OF 2

ASSEMBLY MANUAL



FEATURES

- 11 Gauge Steel
- Made of heavy-duty steel
- Electrostatically powder-coated finish
- Rubber ends for floor protection
- Created for various workouts like push-ups, dips and more.

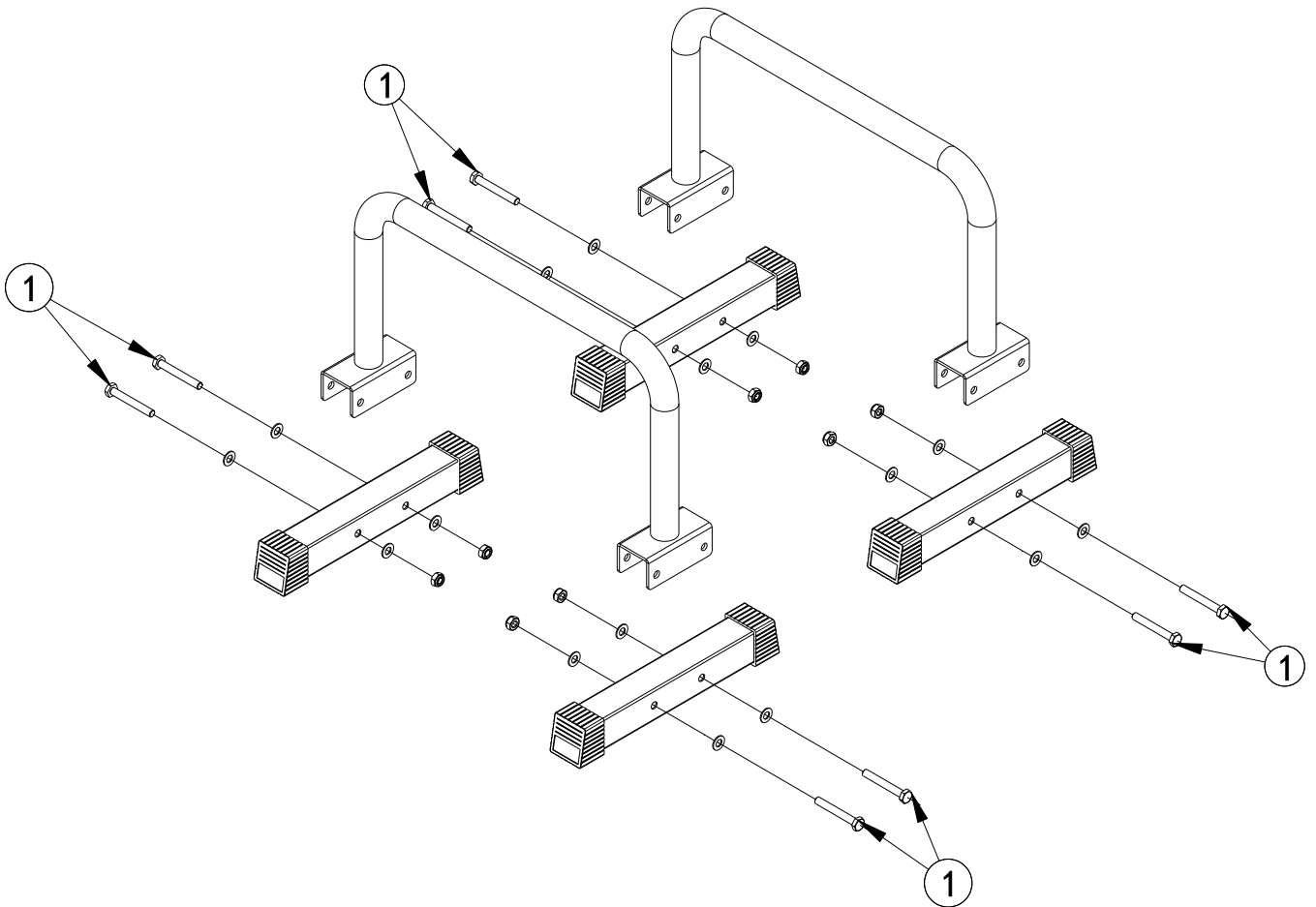
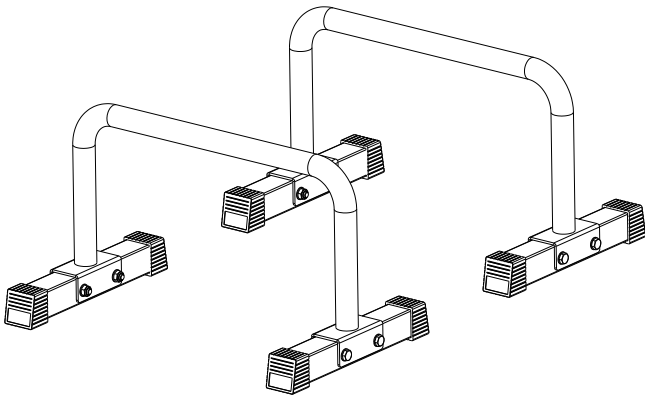
TECH SPECS

- Handle Diameter: 1.5" (38 mm)
- Steel Tubing Thickness: 3 mm
- Base Tubing: 2" x 2" x 2 mm (50 mm x 50 mm x 2 mm)
- Dimensions: 24.3"L x 14.8"W x 14"H (61.8 cm x 37.6 cm x 35.6 cm) each
- Weight: 24.7 lbs (11.2 kg) (Pair)

WARRANTY

- **30 Days Against Defects**
- **California Residents see Prop 65 WARNING**

EXPLODED VIEW



Serial number	Specifications	Number
1	BOLT M10*75 + WASHERS + NUT	8